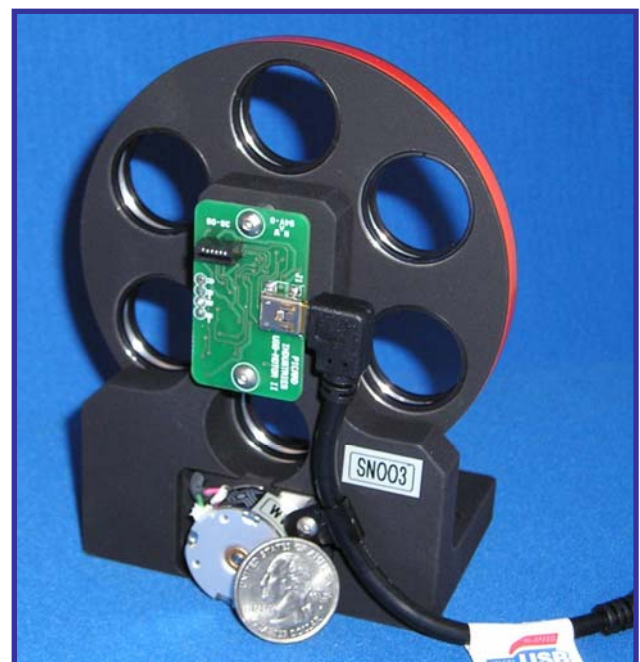


USB-FilterWheel System

System Features

- USB powered and controlled filter wheel system
- Holds six standard 1.0" (25mm) optics with 1.0" mounting/retaining rings
- All filter positions have clear apertures (no filter positions are obstructed)
- Mounts on standard optical tables with ¼-20 screws on 1.0" centers
- Motorized or manual override control of the filter wheel's position
- Low power, motor is energized only when moving the filter wheel (changing filter positions)
- Quiet long life stepper motor operation for reliable and repeatable filter wheel positioning
- Absolute positional sensing is used to insure proper wheel positioning
- USB Hot pluggable with Auto-detection
- Easy to use Windows (XP/Vista) based User Interface software, LabView drivers and DLL files included
- A Quad System comes with four FilterWheels, an externally powered 4-port USB Hub and 10' (3 meter) USB cables

Single unit for only \$785
Complete Quad System \$2,995



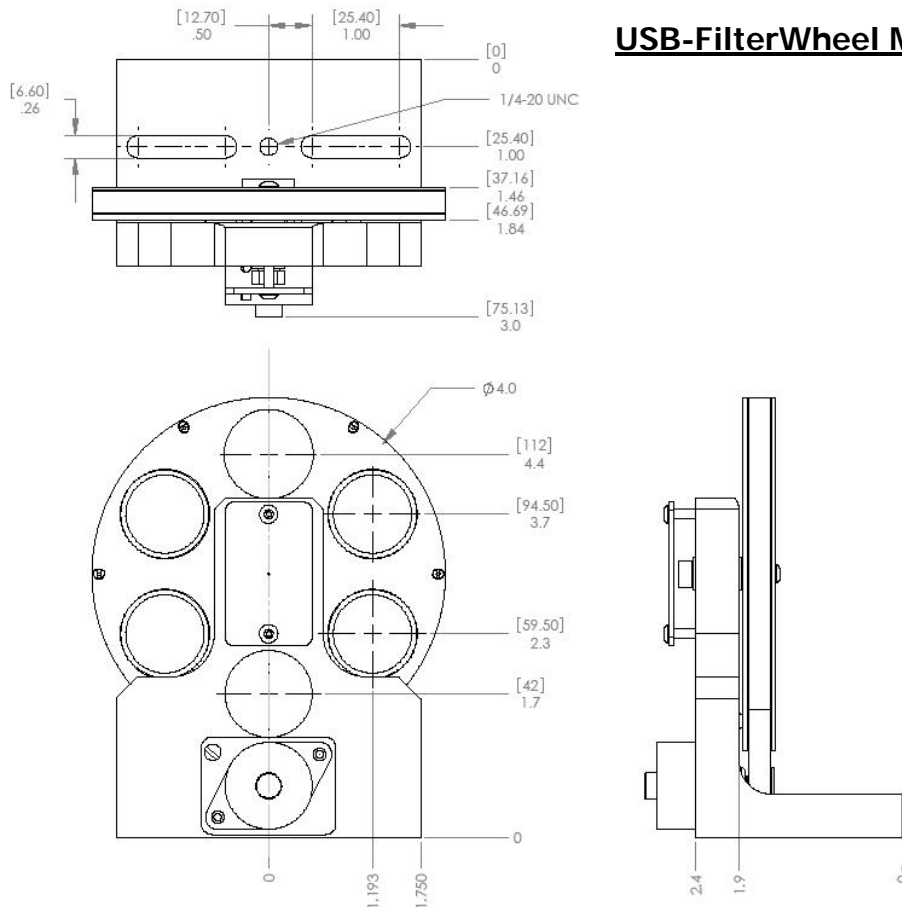
Data Optics, Inc.

115 Holmes Road • Ypsilanti MI 48198-3020
(800) 321-9026 • (734) 483-8228

www.DataOptics.com

E-mail: Sales@DataOptics.com

USB-FilterWheel Mechanical Layout



USB Quad FilterWheel Software / User Interface

The provided Windows based user interface can individually control four USB-FilterWheels. Status (red/green) indicators on the panel will provide indication of whether the filter wheel is properly connected to the USB hub/port and its positional location. The Run, Stop and arrow buttons are clicked with the mouse to move the filter wheel to new positions. Each filter wheel is identified by its serial number located on its base. Descriptive labels can also be assigned to each unit. The assignments are stored and activated with the Reset/Store click button. Below is a sample of what the user interface panel looks like.

