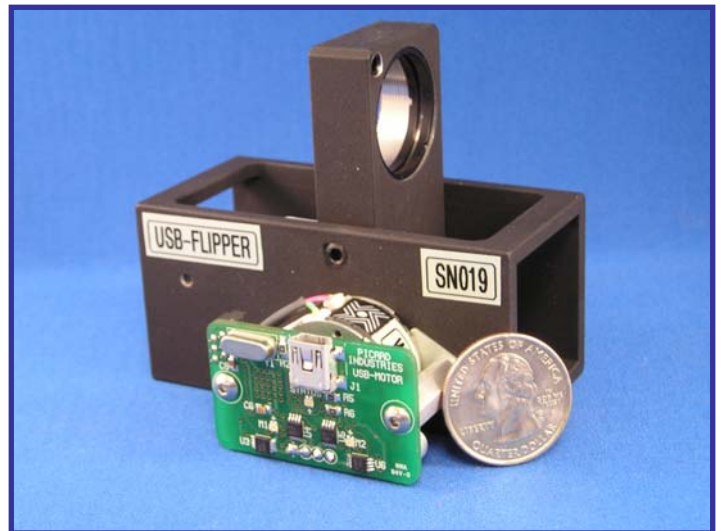
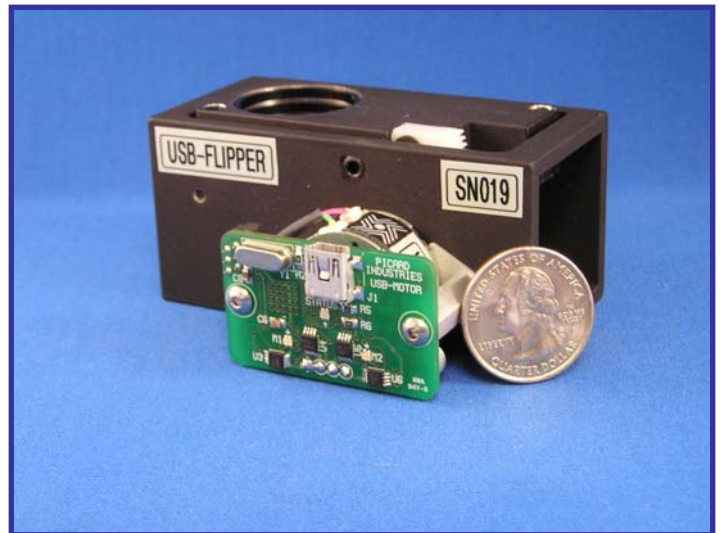


## USB Optical Flipper System

### System Features

- USB controlled Optical Flipper System
- Motorized, 90 degree flipping of filters, mirrors, lens, or other optical devices
- Designed to hold standard 1.0" (25mm) optics with 1.0" mounting/retaining rings
- Magnetically latching hard stops defines the static positions for repeatable positioning
- Flipper mounts on standard optical tables with ¼-20 screws on 1.0" centers
- Low power motor is energized only when moving the optic (flipping positions)
- Quiet long life stepper motor operation for extending or retracting the optic (no clunking)
- USB Hot pluggable with Auto-detection
- Easy to use Windows (XP/Vista) based User Interface software, LabView drivers included
- A Quad System comes with four Flippers, an externally powered 4-port USB Hub and 10' (3 meter) USB cables



**Single unit for only \$485**  
**Complete Quad System \$1,895**

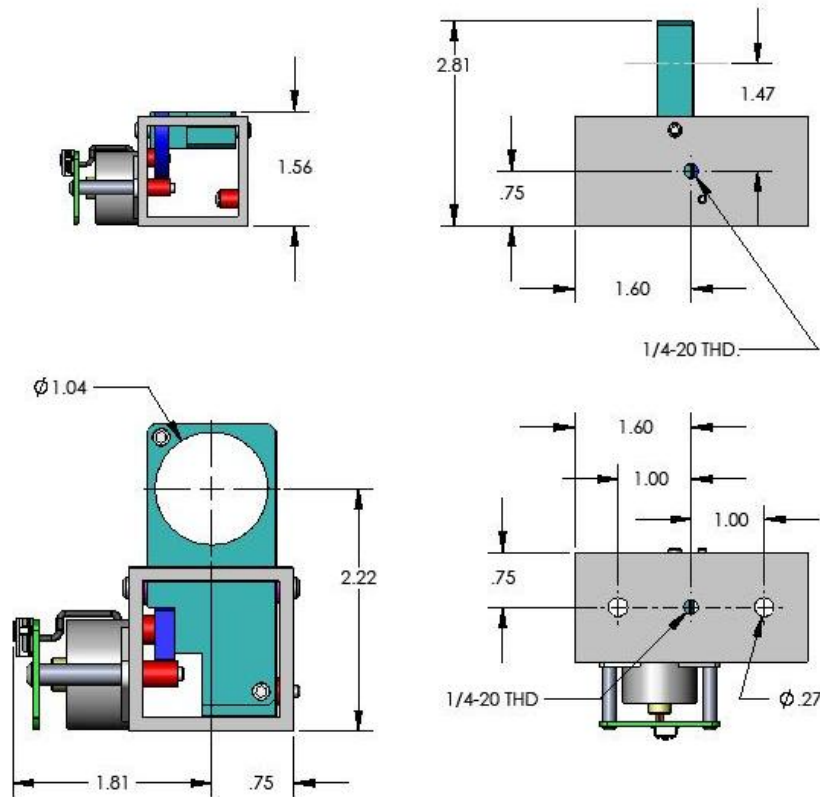
**Data Optics, Inc.**

115 Holmes Road • Ypsilanti MI 48198-3020  
(800) 321-9026 • (734) 483-8228

[www.DataOptics.com](http://www.DataOptics.com)

E-mail: [Sales@DataOptics.com](mailto:Sales@DataOptics.com)

## USB Optical Flipper Mechanicals



## USB Quad Flipper Software / User Interface

The Quad Flipper user interface provides individual control of all four Optical Flippers. Status (red/green) indicators on the panel will provide indication of whether the flipper is properly connected to the USB hub/port and whether it is extended or retracted. The Flip button is clicked with the mouse to toggle the position of the flipper. Each flipper is identified by its serial number located on the side of the flipper. Descriptive labels can also be assigned to each flipper. The assignments are stored and activated with the Reset/Store click button. Below is a sample of what the user interface panel looks like.

