

USB Shutter

USB Shutter Features

- Small Low cost USB controlled shutter
- Draws power from a standard USB port
- Auto closing shutter (by spring) if power or communications is lost
- Quiet stepper motor operation (no clunk) to open and close
- USB Hot pluggable with Auto-detection
- Mounts on standard optical tables with 1/4-20 screws on 1.0" centers
- Clear beam aperture of 0.75 inches or ~ 19.0 Millimeters
- A hard stop defines the closed position
- Easy to use Windows (XP/Vista) based User Interface software included
- LabView Drivers and DLL files provided

(\$285.00 single piece price)



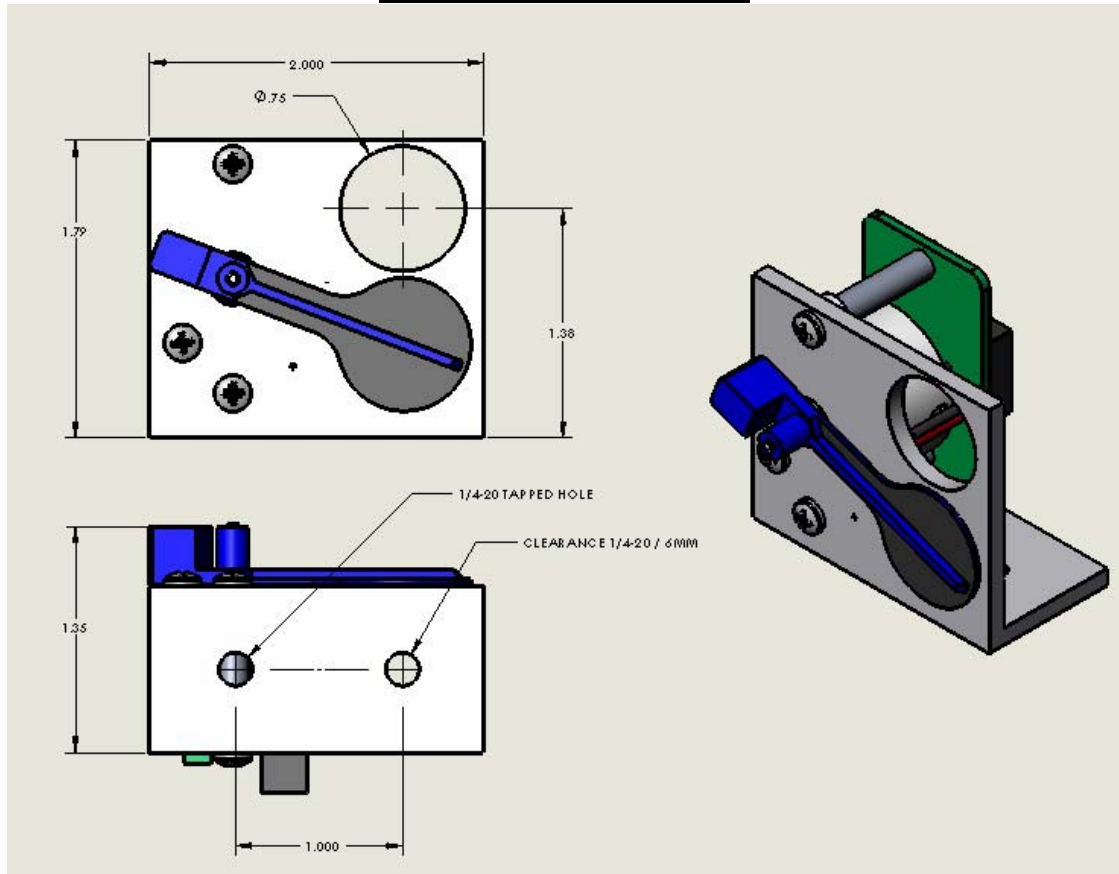
Data Optics, Inc.

115 Holmes Road • Ypsilanti MI 48198-3020
(800) 321-9026 • (734) 483-8228

www.DataOptics.com

E-mail: Sales@DataOptics.com

USB Shutter Mechanicals



USB Quad Shutter Software / User Interface

The USB Shutter user interface provides individual control of up to four shutters. Status (red/green) indicators on the panel will provide indication of whether the shutter is properly connected to the USB hub and whether it is open or closed. The shutter button is clicked with the mouse to toggle the shutter from open to close, or close to open. Each shutter is identified by its serial number located on the shutter. Descriptive labels can be assigned to each shutter. The assignments are stored and activated with the Reset/Store click button. Below is a sample of what the user interface panel looks like.

